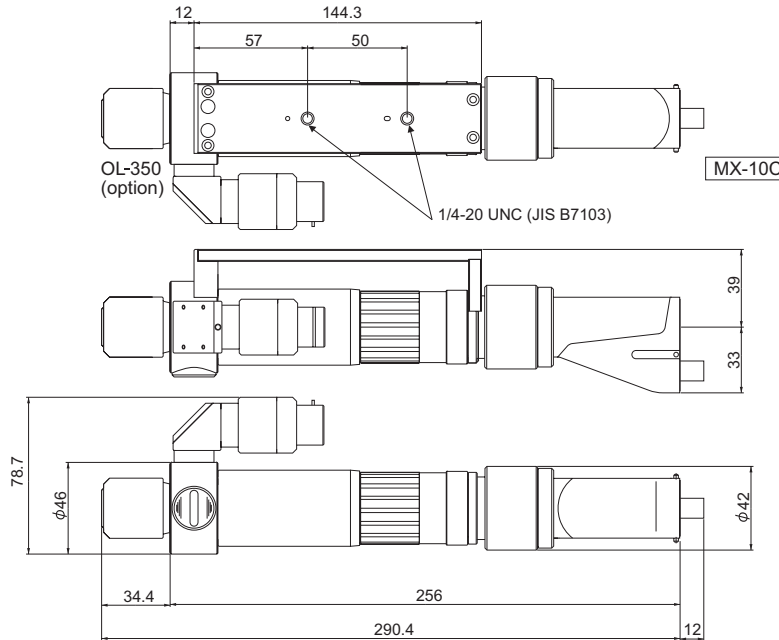


MX-10C

Zoom Lens

Product Dimensions



*Five objective lenses OL-35, OL-70, OL-140, OL-350 and OL-700 are available.

Feature

MX-10C is 10X zoom tube for various objective lenses. The highest magnification is 7000X with OL-700. The lighting method is co-axial with one-sided lighting adapter, which enhance the very fine edges. The specification depends on the objective lens used

Specifications

Objective Lenses

Form	OL-35	OL-70	OL-140	OL-350	OL-700
Lighting Method	Co-axial lighting	Co-axial lighting	Co-axial lighting	Co-axial lighting	Co-axial lighting
Magnification	35x-350x	70x-700x	140x-1400x	350x-3500x	700x-7000x
View (μm) (H)	10.8-1.15	5.42-0.575	2.71-0.287	0.975-0.103	0.487-0.052
Working Distance (mm)	34	33.5	30.5	10.6	3.4
Depth of Field (mm) (115TV Line)	0.11-1.01	0.027-0.252	0.013-0.126	0.003-0.046	0.001-0.012
Length (mm)	329	329.5	332.5	302.4	309.6
Weight (g)	655 (MX-10C) 230 (OL-35)	655 (MX-10C) 230 (OL-70)	655 (MX-10C) 260 (OL-140)	655 (MX-10C) 165 (OL-350)	655 (MX-10C) 185 (OL-700)

Magnification is based on 1/2 inch CCD and 15 inch monitor.

The specifications and design of this product described herein are subject to change without notice for modification or other reasons.

Hirox Company, Ltd. <http://www.hirox.com>

2-15-17 Koenji Minami, Suginami-ku, Tokyo 166-0003, Japan
 TEL : (+81)3-3311-9911 FAX : (+81)3-3311-7722
 e-mail : tokyo@hirox.com

Hirox-USA Inc. <http://www.hirox-usa.com>

1060 Main Street, Suite 307 River Edge, NJ 07661
 TEL : (201)342-2600 FAX : (201)342-7322
 TOLL-FREE: (866) HIROX-US e-mail : inquiry@hirox-usa.com

For more information, contact Hirox or authorized Hirox dealers.