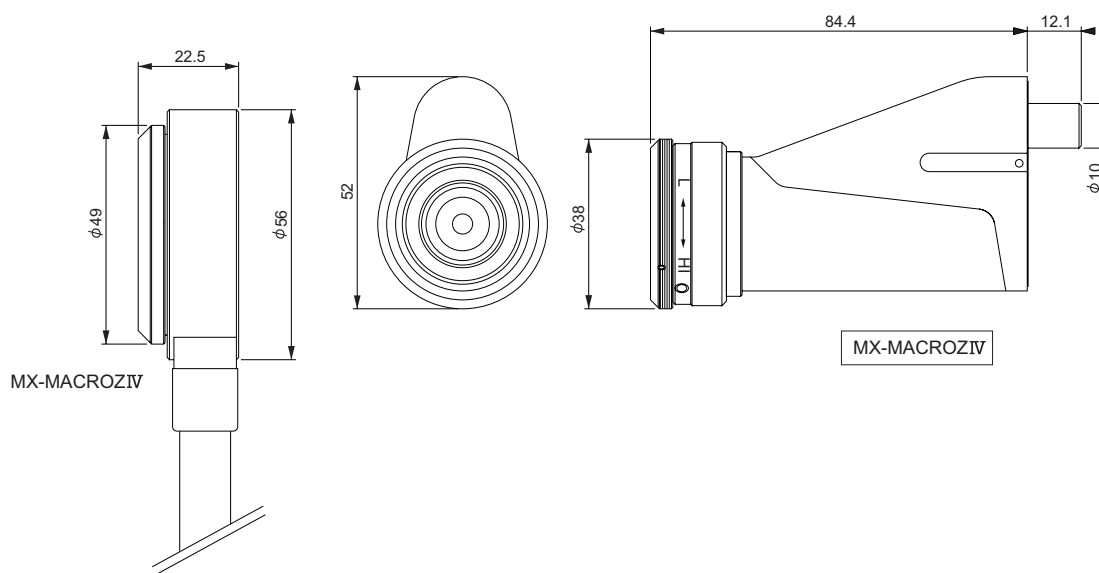


# MX-MACROZIV

## Product Dimensions



## Feature

Magnification changes according to Working Distance. You can observe a sample at a magnification between  $\infty$  and 50X.

## Specifications

Lighting Method	Dark field vertical lighting						
Magnification	$\infty$ - 50x	5x	10x	20x	30x	40x	50x
Field of View(mm)	$\infty$ -21.4mm	202.8mm	97.5mm	49.2mm	35.9mm	26.8mm	21.0mm
Depth of Field	$\infty$ -6.1mm (H)						
Working Distance	$\infty$ -3mm (TV Lines:115)						
Weight	105g						

Magnification is based on 1/2 inch CCD and 15 inch monitor.

The specifications and design of this product described herein are subject to change without notice for modification or other reasons.

**Hirox Company, Ltd.** <http://www.hirox.com>  
 2-15-17 Koenji Minami, Suginami-ku, Tokyo 166-0003, Japan  
 Tel : (+81) 3-3311-9911 Fax : (+81) 3-3311-7722 E-mail : tokyo@hirox.com

**Hirox-USA Inc.** <http://www.hirox-usa.com>  
 1060 Main Street, Suite 307 River Edge, NJ 07661 Tel : (201)342-2600  
 Fax : (201) 342-7322 Toll-Free : (866) HIROX-US E-mail : inquiry@hirox-usa.com

**Hirox China Co., Ltd.** <http://www.hirox.com.cn>  
 220 Han Dan Road, Yi-Fu Bldg, Suite 309, Shanghai 200433, China  
 Tel : (86-21) 6564-7772 Fax : (86-21) 6565-1151 E-mail : jyao@hirox.com

For more information, contact Hirox or authorized Hirox dealers.