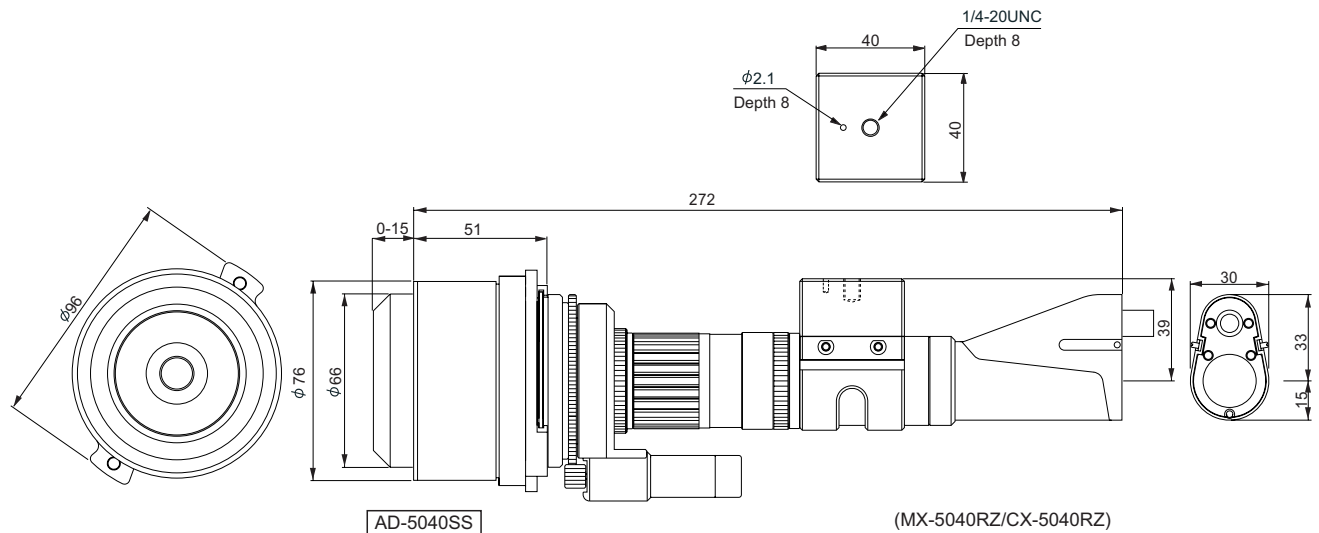


# AD-5040SS

## Product Dimensions



\* MX-5040RZ or CX-5040RZ is not included.

## Feature

You can vary the lighting angle between 30° and 65°.

## Specifications

Lighting Method	Variable lighting
Required Lens	MX-5040RZ(or CX-5040RZ)
Working Distance	8-22mm
Viewing Angle	30°-65°
Items Included	AD-5040SS Variable lighting adapter
Weight	285g

The specifications and design of this product described herein are subject to change without notice for modification or other reasons.

**Hirox Company, Ltd.** <http://www.hirox.com>

2-15-17 Koenji Minami, Sugunami-ku, Tokyo 166-0003, Japan  
 TEL : (+81)3-3311-9911 FAX : (+81)3-3311-7722  
 e-mail : tokyo@hirox.com

**Hirox-USA Inc.** <http://www.hirox-usa.com>

1060 Main Street, Suite 307 River Edge, NJ 07661  
 TEL : (201)342-2600 FAX : (201)342-7322  
 TOLL-FREE: (866) HIROX-US e-mail : inquiry@hirox-usa.com

For more information, contact Hirox or authorized Hirox dealers.