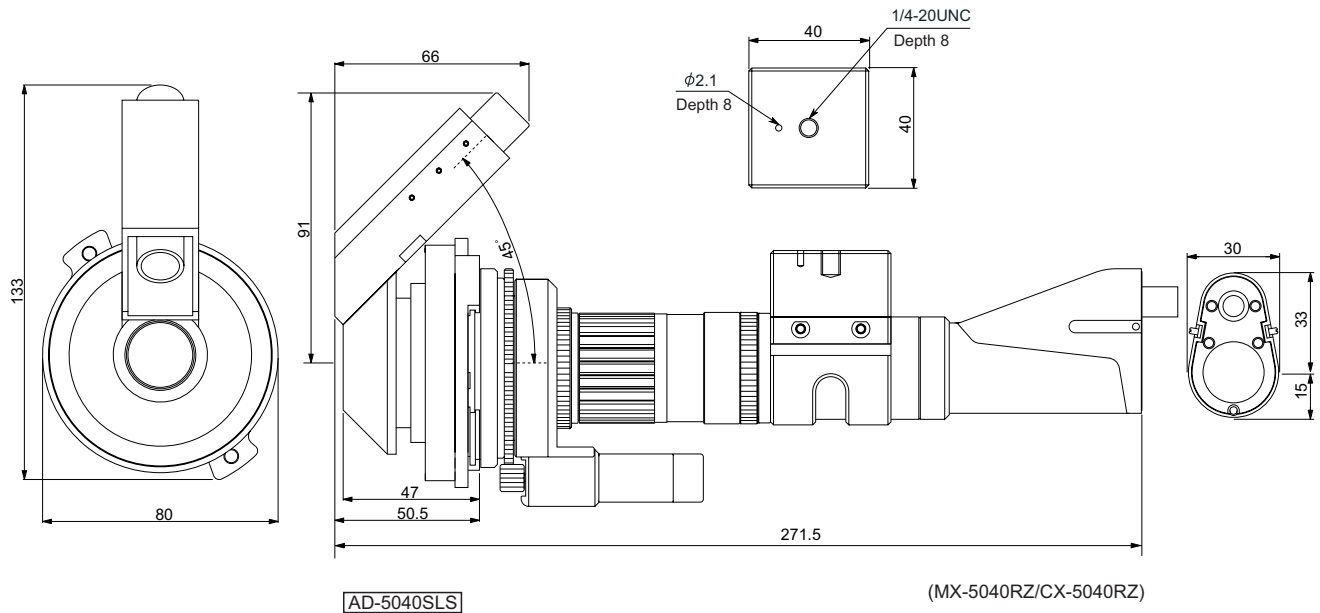


AD-5040SLS

Product Dimensions



* MX-5040RZ or CX-5040RZ is not included.

Feature

This adapter directs a laser at a sample at an angle of 45°. You can then measure the height or depth (in the Z-axis) of the sample.

Specifications

Lighting Method	Dark field vertical lighting
Required Lens	MX-5040RZ(or CX-5040RZ)
Working Distance	20mm
Items Included	AD-5040SLS Slit-light laser adapter ON/OFF Switch AC adapter Power cable
Weight	300g

The specifications and design of this product described herein are subject to change without notice for modification or other reasons.

Hirox Company, Ltd. <http://www.hirox.com>

2-15-17 Koenji Minami, Suginami-ku, Tokyo 166-0003, Japan
 TEL : (+81)3-3311-9911 FAX : (+81)3-3311-7722
 e-mail : tokyo@hirox.com

Hirox-USA Inc. <http://www.hirox-usa.com>

1060 Main Street, Suite 307 River Edge, NJ 07661
 TEL : (201)342-2600 FAX : (201)342-7322
 TOLL-FREE: (866) HIROX-US e-mail : inquiry@hirox-usa.com

For more information, contact Hirox or authorized Hirox dealers.