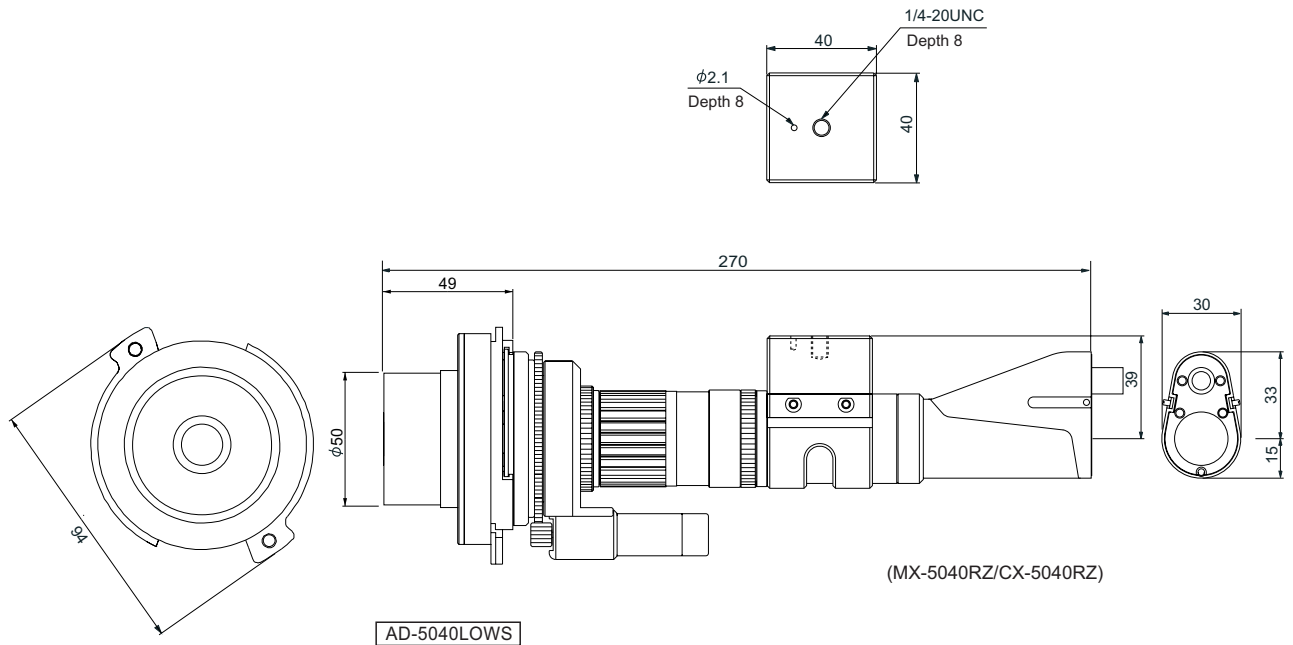


AD-5040LOWS

Product Dimensions



* MX-5040RZ or CX-5040RZ is not included.

Feature

This adapter allows variation of the lens magnification to between 20X and 160X.

Specifications

Lighting Method	Dark field vertical lighting
Required Lens	MX-5040RZ(or CX-5040RZ)
Working Distance	80mm
Items Included	AD-5040LOWS Low magnification adapter
Weight	185g

The specifications and design of this product described herein are subject to change without notice for modification or other reasons.

Hirox Company, Ltd. <http://www.hirox.com>

2-15-17 Koenji Minami, Suginami-ku, Tokyo 166-0003, Japan
 TEL : (+81)3-3311-9911 FAX : (+81)3-3311-7722
 e-mail : tokyo@hirox.com

Hirox-USA Inc. <http://www.hirox-usa.com>

1060 Main Street, Suite 307 River Edge, NJ 07661
 TEL : (201)342-2600 FAX : (201)342-7322
 TOLL-FREE: (866) HIROX-US e-mail : inquiry@hirox-usa.com

For more information, contact Hirox or authorized Hirox dealers.